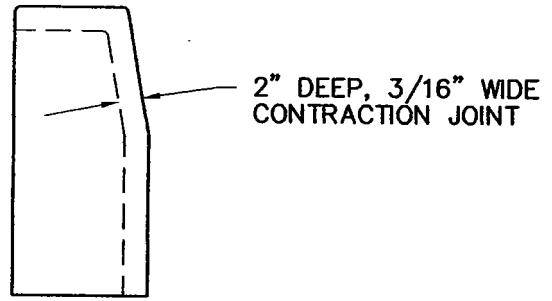


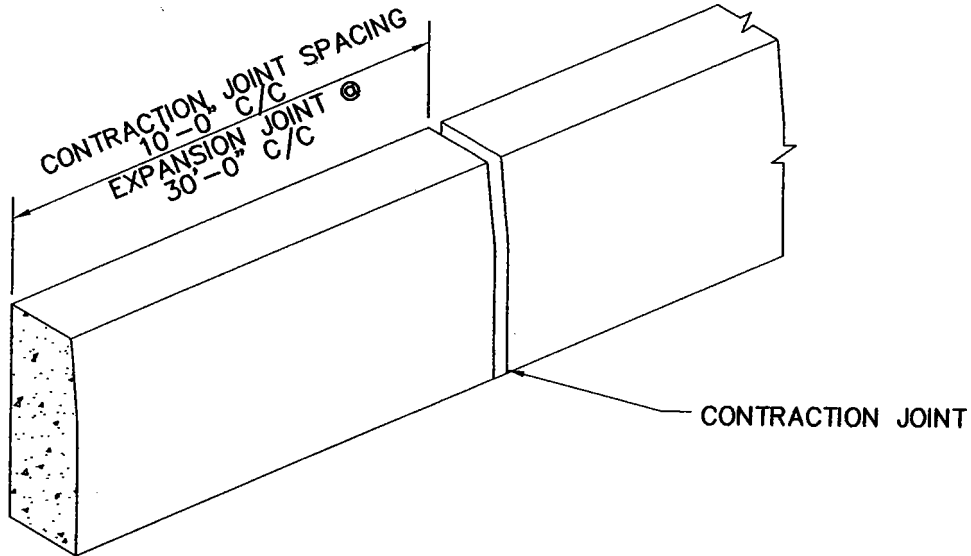
STANDARD CURB DETAIL

N.T.S.



CURB JOINT DETAIL

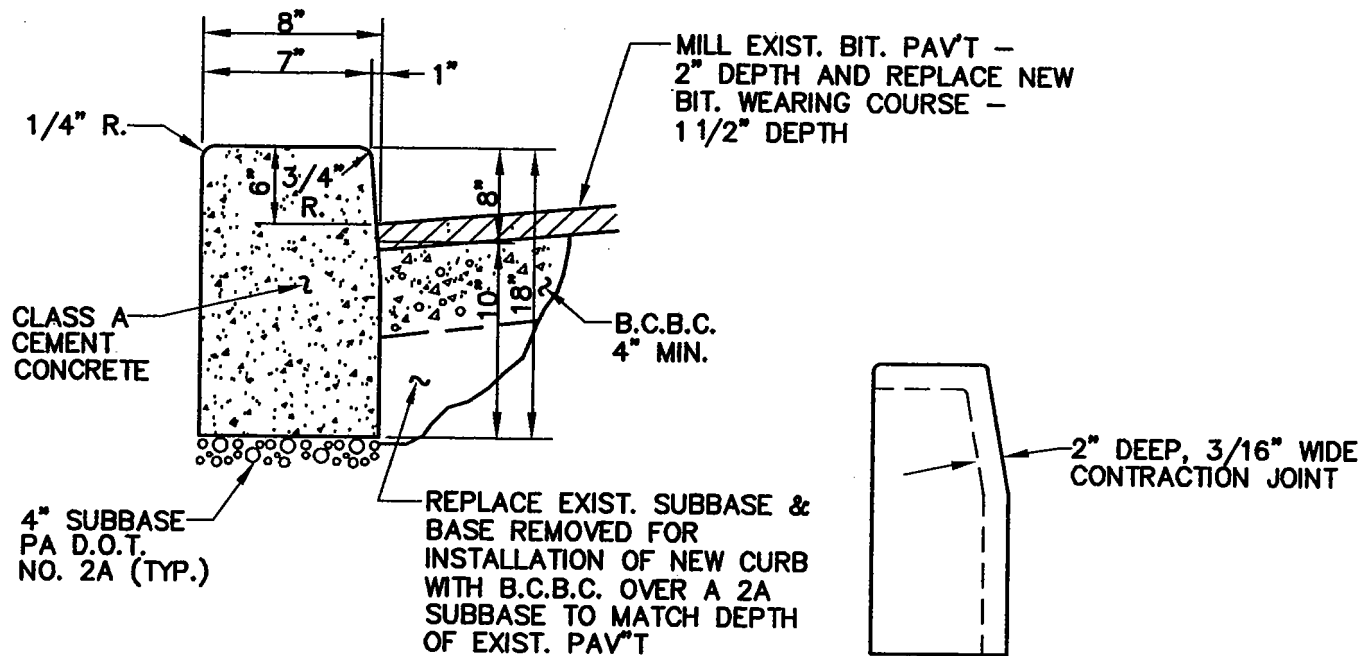
N.T.S.



PLAIN CEMENT CONCRETE CURB SECTION

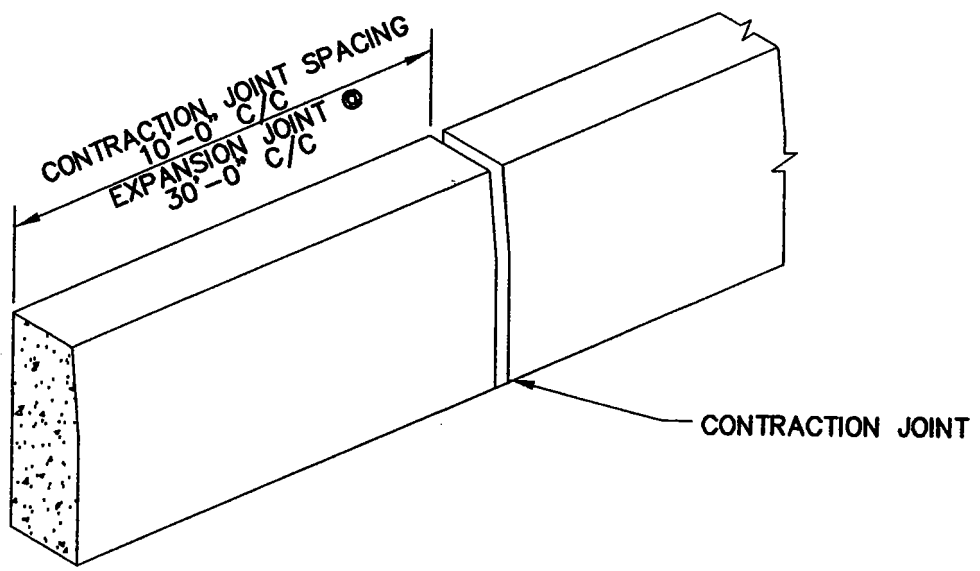
N.T.S.

TYPICAL DETAILS	
<u>CONCRETE CURB DETAILS</u>	
THE EADS GROUP INC.	STD. 64



STANDARD CURB DETAIL
N.T.S.

CURB JOINT DETAIL
N.T.S.



PLAIN CEMENT CONCRETE CURB SECTION
N.T.S.

TYPICAL DETAILS	
<u>CONCRETE CURB DETAILS</u>	
THE EADS GROUP INC.	STD. 64